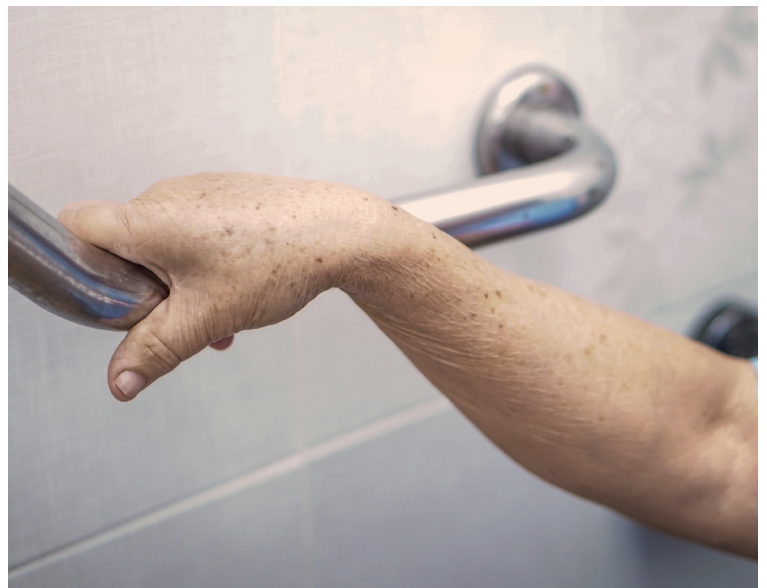


ITALTILE COMMERCIAL
HOSPITALS • CLINICS • CONSULTING ROOMS • SPECIAL NEEDS

PURPOSE-MADE PRODUCT SOLUTIONS FOR MEDICAL APPLICATIONS.



ITALTILE
COMMERCIAL

Contact Us:

GAUTENG - commercialgauteng@italtile.co.za **KZN** - commercialkzn@italtile.co.za
WESTERN CAPE - commercialcape@italtile.co.za **NELSPRUIT** - commercialnelspruit@italtile.co.za



Laufen Pro White Wall Hung Toilet Excluding Seat & Cistern,
Toilet Code: LAWHPR20950
Seat Code: LAWHPR93952



Laufen Paraplegic pan & Seat
Toilet Code: LAWHPR22951
Seat Code: LAWHPR93952



SWISS MADE
EXCLUSIVE TO ITALTILE

LAUFEN

LAUFEN RIMLESS PAN

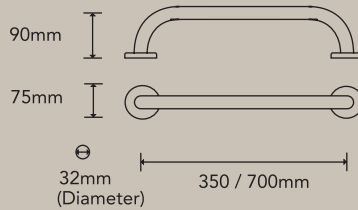
The rimless, high-performance flush makes the bowl quick and easy to clean.

- Swiss quality
- Hygienic and easy to clean
- Powerful flush
- Economic and versatile
- Low volume flush

Brushed Stainless Steel Grab Rail



Size: 350x32mm
Code: SBA350BS
Size: 700x32mm
Code: SBA700BS



GRAB RAILS FRAIL CARE

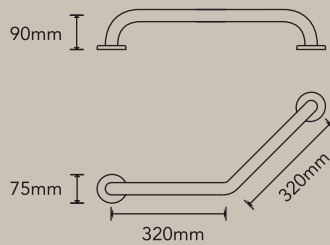
GRADE 304 BRUSHED STAINLESS STEEL.

Every product in our Frail Care Collection is made from the highest quality materials and is legislation compliant. Precision manufacturing and expert design ensure maximum stability and endurance, giving complete peace of mind.

Brushed Stainless Steel Grab Rail

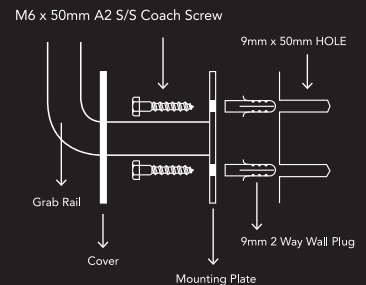


Size: 320x320x32mm
Code: SBA 130BS



MOUNTING INSTRUCTIONS

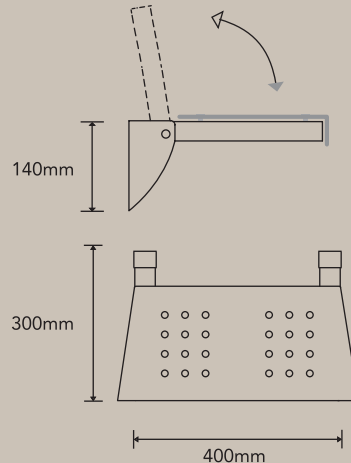
Not recommended for dry wall installations.



Acrylic Folding Shower Seat

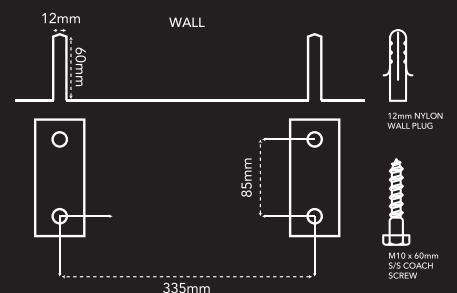


Size: 310x450mm
Code: SBA100BSA



INSTALLATION INSTRUCTIONS

Not recommended for dry wall installations. Factory approved up to 120kgs, subject to correct installation into a sound brick wall.





TIVOLI

• PURE ITALIAN CRAFTSMANSHIP •

ARCTIC MEDICAL MIXERS

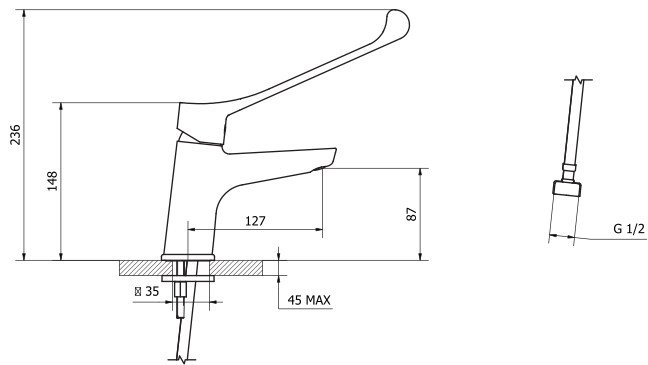
The tap has an aerator that adds air into the water flow to soften any potential splashing, and has a flow rate of 6 litres per minute – substantially less water is used than older tap models.

The Italian quality, design aspects and craftsmanship of this tap range are outstanding and is therefore supported by a 15 Year Guarantee. This promise is backed up a national service team based throughout South Africa.

The Tivoli product range strongly supports Italtile's LiveGreen ethos threefold: by manufacturing in a responsible manner where the plating plant has zero discharge; recycling all water used during manufacture and finally, producing products with qualities of water and energy-saving.

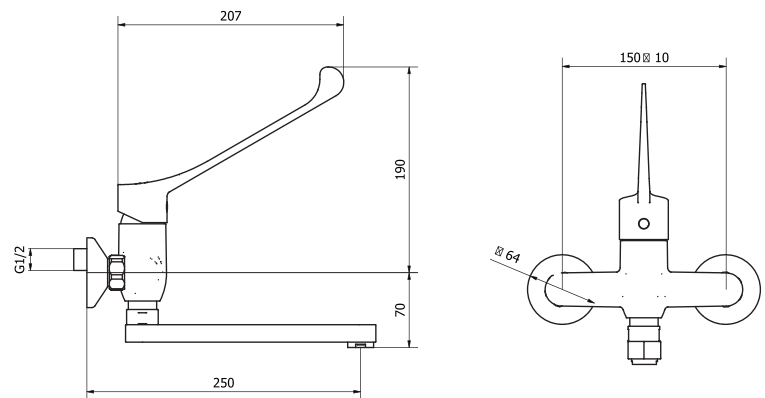
Arctic medical basin mixer

Code: TVAA3949/CH

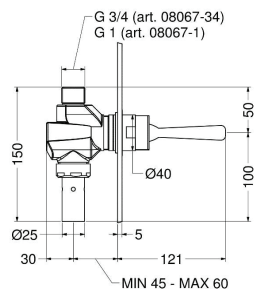
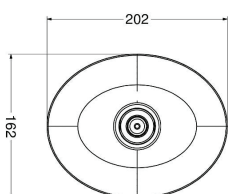


Arctic medical basin mixer

Code: TVAA3948/CH



PROFESSIONAL COMMERCIAL & PUBLIC RANGE



MODERN series wall mounted concealed self-closing flush valve with vandal proof lever

OPERATING CHARACTERISTICS

- Operating pressure: Min 1 – max 4 bar
- Water inlet temperature: 5 – 65 °C
- Flow time: ~ 6 sec @ 3 bar
- Adjustable flow rate
- Flush flow quantity at 3 bar ~ 6 l